


PRODUCT SHEET

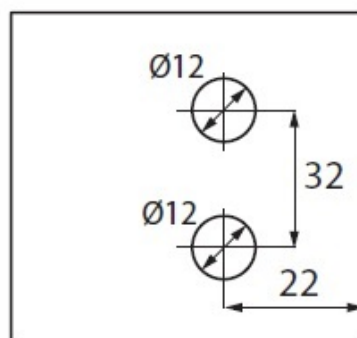
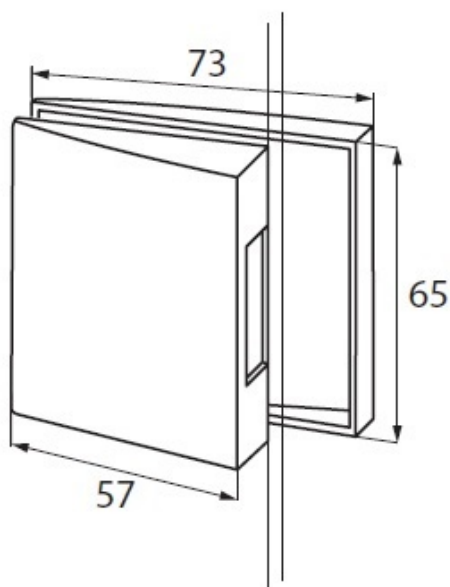
Description:

Glass Door Striker "Lex", Brushed SS-304, 8-12mm Glass

Item number:

14.60.672-0

Units	Box	Carton	HS Code	Barcode
Pcs.	1	40	8301600090	
				5704866453141



SISO A/S

Mileparken 11
DK-2740 Skovlunde
Denmark
VAT: DK 24786013

Phone +45 45 830 900

www.siso.dk
siso@siso.dk

Danske Bank
Nytorv Branch
Copenhagen
SWIFT: DABADKKK

Account no.
4180 3112 112936
IBAN Account
DK7230003112112936